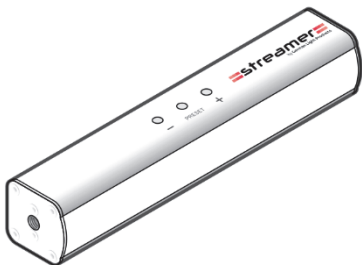


QUICK START GUIDE



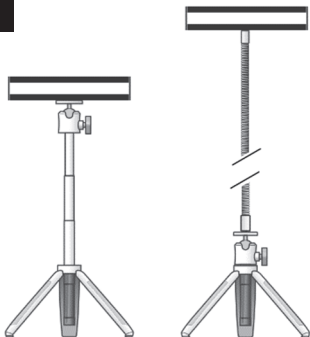
streamer
by German Light Products

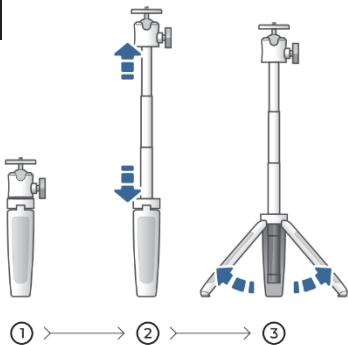
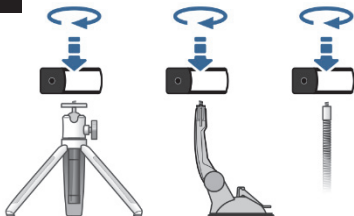
Streamer overview

A



B

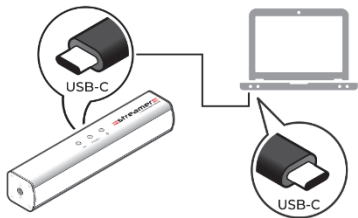


C**D**

E

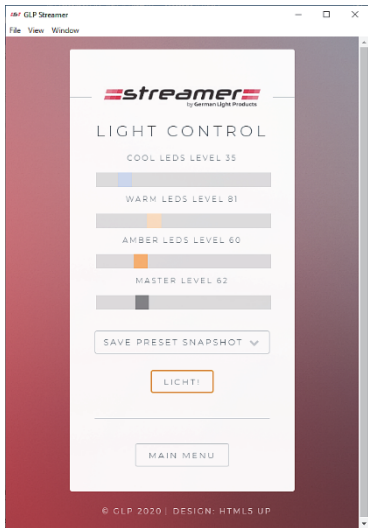


F



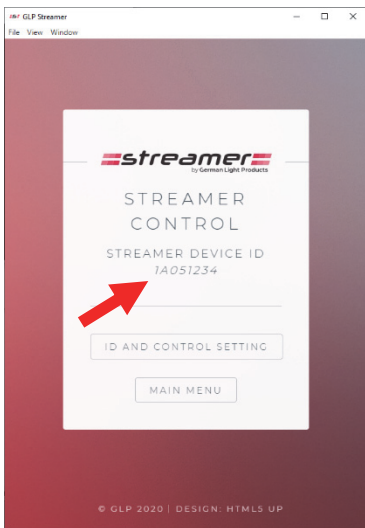
G

Streamer application – ADJUST LIGHTS



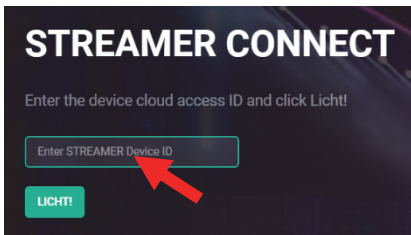
H

Streamer application – STREAMER CONTROL



I

Streamer application – REMOTE CONTROL



Let there be LICHT!

Congratulations on your new Streamer! The Streamer from German Light Products is a USB-powered light that gives high-quality adjustable warm and cool lighting for online meetings or for general lighting needs in a compact package. You can control your Streamer in three ways:

- Onboard buttons (see **A**)
- Windows or Mac software (free download)
- Remote control by a meeting host using the GLP control cloud

This Quick Start Guide will let you start using your Streamer, but for more information please **download the full user manual** from www.streamer.rocks. →



Getting started

Mount your Streamer on either its tripod stand (see **B** and **C**) or its suction mount (see **D** and **E**) with or without the supplied gooseneck.

Use the supplied lead to plug your Streamer into a USB-C port* on your PC (see **F**).

**If your PC only has USB-A ports, use a USB-A to USB-C adapter.*

Controlling using the onboard buttons

On your Streamer:

- See **A**. Press the PRESET button to scroll through 4 fixed presets (you can create 4 more custom presets in the GLP Streamer application).
- Press + and – to control light intensity.

Installing the GLP Streamer application

1. Go to <https://www.streamer.rocks> and download the GLP Streamer application installation file.

2. Following the instructions at www.streamer.rocks, run the installation file to install the application.

Controlling using the GLP Streamer application

1. Connect your Streamer to your PC or Mac and start the GLP Streamer application.
2. Click on ADJUST LIGHTS. See **G**. Move the sliders, then click on **LICHT!** to activate.

Saving a custom preset

Presets 1 to 4 are fixed, but you can save your own custom settings to any preset from 5 to 8. To save a preset:

1. Connect your Streamer to your PC or Mac and start the GLP Streamer application.
2. Click on ADJUST LIGHTS. See **G**.
3. Move the sliders to the values that you want to store.
4. Click on SAVE PRESET SNAPSHOT and select a preset from 5 to 8.
5. Click on **LICHT!** to activate the values and save them to that preset.

Allowing remote control

To let another person (an online meeting host, for example) control your Streamer remotely using the GLP control cloud:

1. Connect your Streamer to your PC and start the GLP Streamer application.
2. Click on STREAMER CONTROL.
3. See **H**. Give the 8-digit Streamer Device ID number that you see in the STREAMER CONTROL window to the meeting host.

It is possible to change the last 4 digits of your Streamer ID number. See the online user manual for details.

Controlling remotely

To take control of a meeting attendee's Streamer remotely using the GLP control cloud:

1. Go to the Streamer Remote control cloud website at <https://remote.streamer.rocks>
2. Ask the attendee to give you their Streamer's 8-digit ID number as described above.
3. See **I**. Enter the ID number in the DEVICE ID box and click on **LICHT!**
4. Use the sliders to adjust the attendee's Streamer and click on **LICHT!** to activate.



Enjoy using your Streamer!

The Streamer by German Light Products helps you look great in your live and recorded video streams and present a professional image at online meetings. We are confident that you will enjoy using it!

Remember that the Streamer website at www.streamer.rocks has a downloadable full user manual and other information about your Streamer. →



Important

- Keep the Streamer, all supplied items and packaging away from children.
- Keep the Streamer away from all liquids.
- Use only a soft, dry cloth for cleaning.
- No user-serviceable parts inside. Do not try to open or modify the Streamer. Opening the Streamer will invalidate the product warranty.
- Protect the environment. Recycle the Streamer as electronic waste at the end of its lifetime.



GLP German Light Products GmbH
Industriestrasse 2, 76307 Karlsbad
Germany

GLP German Light Products, Inc.
1145 Arroyo St, Unit A
San Fernando, CA 91340
USA

 **streamer**
by German Light Products